



DATACOOL

Precision Air Conditioners for Small/Medium Data Centers

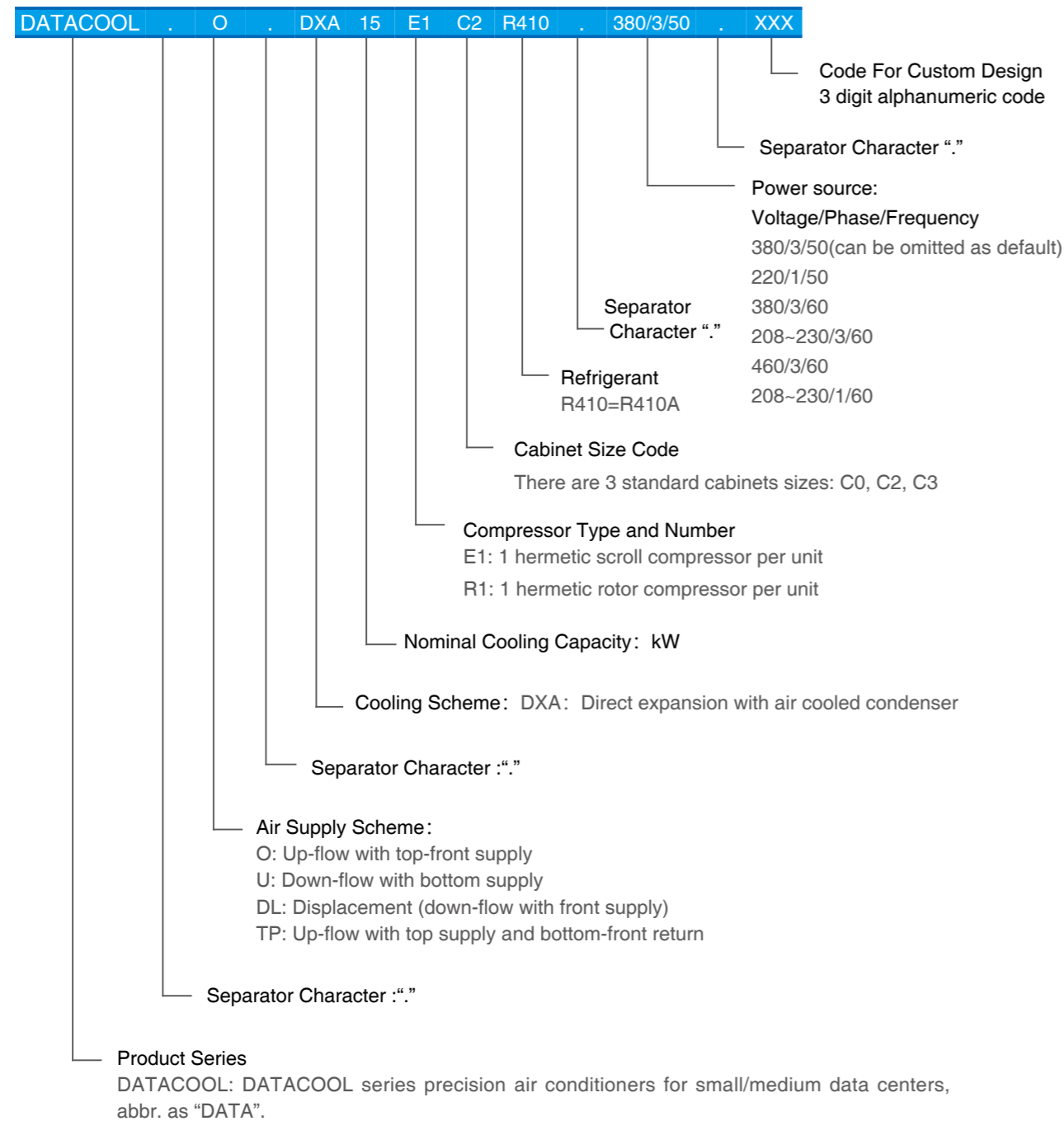
Cooling Capacity: 5.8~30.2kW



The DATACOOl product series is just one of the many and varied data center cooling product solutions offered by AIRSYS. This series is specially designed for small to medium data center applications and incorporates cutting edge features to maximize efficiency and reliability.

DATACOOl units provide the precise temperature and humidity control required by data centers, and are designed to work across a wide range of ambient temperatures (-40°C to +45°C) and throughout 24x7 operation. The high efficiency and reliability of the DATACOOl range meets, and typically exceeds, equivalent product lines in the market.

Unit Identification



Example: DATA COOL.O.DXA13E1C0: This product name suggests that it is a DATA COOL series, up flow with top-front supply, direct expansion system with a remote air-cool condenser, nominal cooling capacity of 13KW. This unit has only 1 compressor with cabinet size of C0, charged R410A refrigerant, power source 380V/3Ph/50Hz.

Operation Range & Control Accuracy

Operation Range

Ambient Temperature:

- 15°C to + 45°C; operational range can be expanded to as low as -40°C when equipped with low-ambient enhancement option

Refrigeration pipework horizontal length limits:

The combined gas and liquid pipe length in the horizontal plane must be no more than 30 meters. (Please consult with the factory or dealer if distance is over this limit.)

Control Precision

Temperature range: 15°C~35°C; Precision: ±1°C;

Relative humidity range: 35%~80%; Precision: ±5%.

Applications

- Small/Medium sized MCS
- Call Centers or Text Message Process Centers
- Microwave or Satellite Base Stations
- Mobile Telecom-equipment Room
- Small/Medium Data Centers or Computer Rooms
- Network Operation Centers
- UPS and Battery Housing
- Hot Spots or Regions within Large Data Centers
- CT and MRI Computer/Electronic Rooms
- Medical Clinic Facilities
- Industry Production or Processing Plants
- Precision Control Environments or Labs
- Standard or Calibration Chambers
- Precision Machine Shops
- Museum and Record Keeping Environments

Product Features

High Efficiency

The DATACOOL product series was primarily designed for high energy efficiency and, as such, incorporates highly-efficient components (such as compressors and fan motors) and an efficient structural design and configuration.

Energy-efficient Running Modes

The DATACOOL product range offers two running modes which may be chosen from the controller display:

Standard running mode: In this mode, the temperature and humidity are controlled within narrower ranges;

Energy saving mode: In this mode, good energy savings can be achieved through allowing the temperature and humidity to be controlled within wider ranges

Condenser Fan Speed Control

Automatic control of the condenser fan speed to meet the actual required heat rejection capacity reduces both the energy consumption of the fan motor and the greater refrigeration system.

Efficient Air Distribution

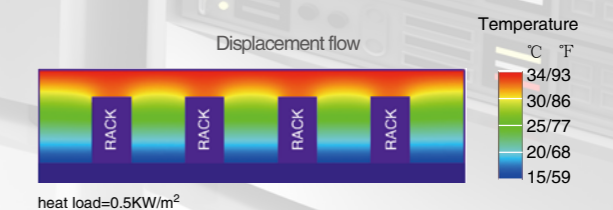
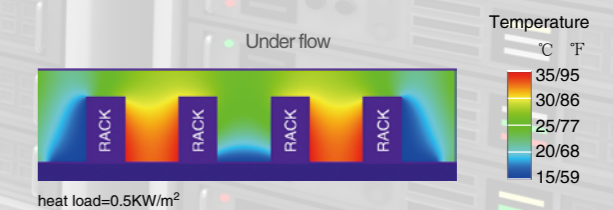
DATACOOL units are available in 4 standard supply air arrangements: (up-flow with front supply, down-flow with bottom supply, displacement and up-flow with top-supply). Options are available to suit all installation requirements.



The up-flow with top-front supply and bottom-front return arrangement does not require a raised floor, which typically leads to a simpler installation and is widely accepted in smaller housing arrangements. Since hot air tends to remain at the top of the enclosure and cold air at the bottom, the energy efficiency of this arrangement is typically lower by 2%-5% compared to the other configurations.

Down-flow units with bottom supply require a raised floor. Compared with the above arrangement, it offers an easy and reliable method for distributing air to the cold aisle. Higher efficiencies are achievable, but at a higher capital cost.

A displacement system follows more closely the natural tendency of warm and cool air distribution, as shown below. It reduces the loss of cooling capacity which occurs through the mixing of hot and cold air and does not require a raised floor. Higher efficiencies are achievable, however no obstacles must remain in front of the supply grilles in order to avoid short-circuiting of the air.



Top supply units have a standard available static pressure of 50Pa at the outlet and are usually employed at installations requiring increased flexibility of unit placement (through fitting supply duct to the outlet). As well as increased placement flexibility, good temperature and airflow distribution is achievable.

Filter

DATA COOL units are provided with washable synthetic fiber filters with G4 rating; i.e. they can remove 80% of particles 5 μ in size and 20% of 1 μ , which is sufficient to meet conventional data center requirements.

Consistent Appearance

The DATA COOL series enclosures and base are black in color and consistent with industry standard dimensions and styles.



Compact Structure

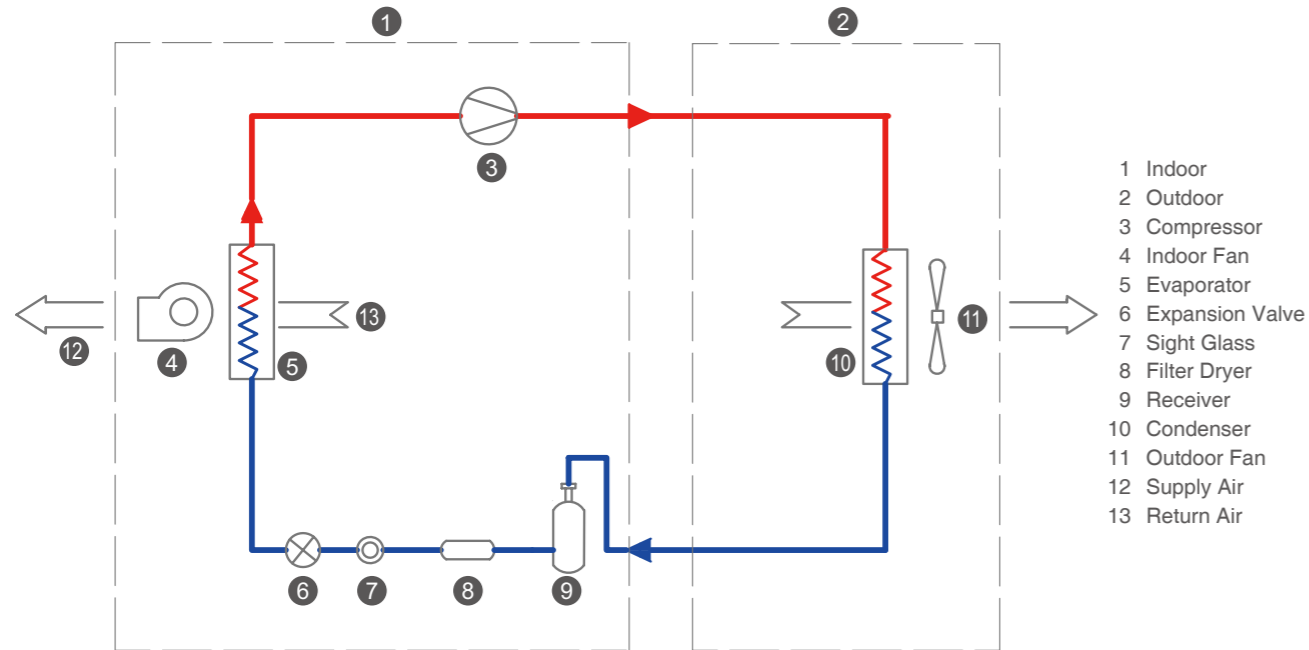
A small footprint, light weight and generally compact structure assist in moving and handling DATA COOL units within small or confined spaces.

Reliability

The DATA COOL series use only high-quality components from established manufacturers (including compressors, fan motors, expansion valves and controllers) to ensure high reliability and longer up-time. Control systems are designed with three levels of access control, reducing the risk of human error or servicing by unqualified technicians.

All DATA COOL units are also configured with various protection measures and alarms to reduce the probability of failure, including high/low pressure, compressor over-heat, humidifier, heater-over current, fan motor over-drive, high- & low-temperature protections and dirty filter.

System Schematic



- 1 Indoor
- 2 Outdoor
- 3 Compressor
- 4 Indoor Fan
- 5 Evaporator
- 6 Expansion Valve
- 7 Sight Glass
- 8 Filter Dryer
- 9 Receiver
- 10 Condenser
- 11 Outdoor Fan
- 12 Supply Air
- 13 Return Air

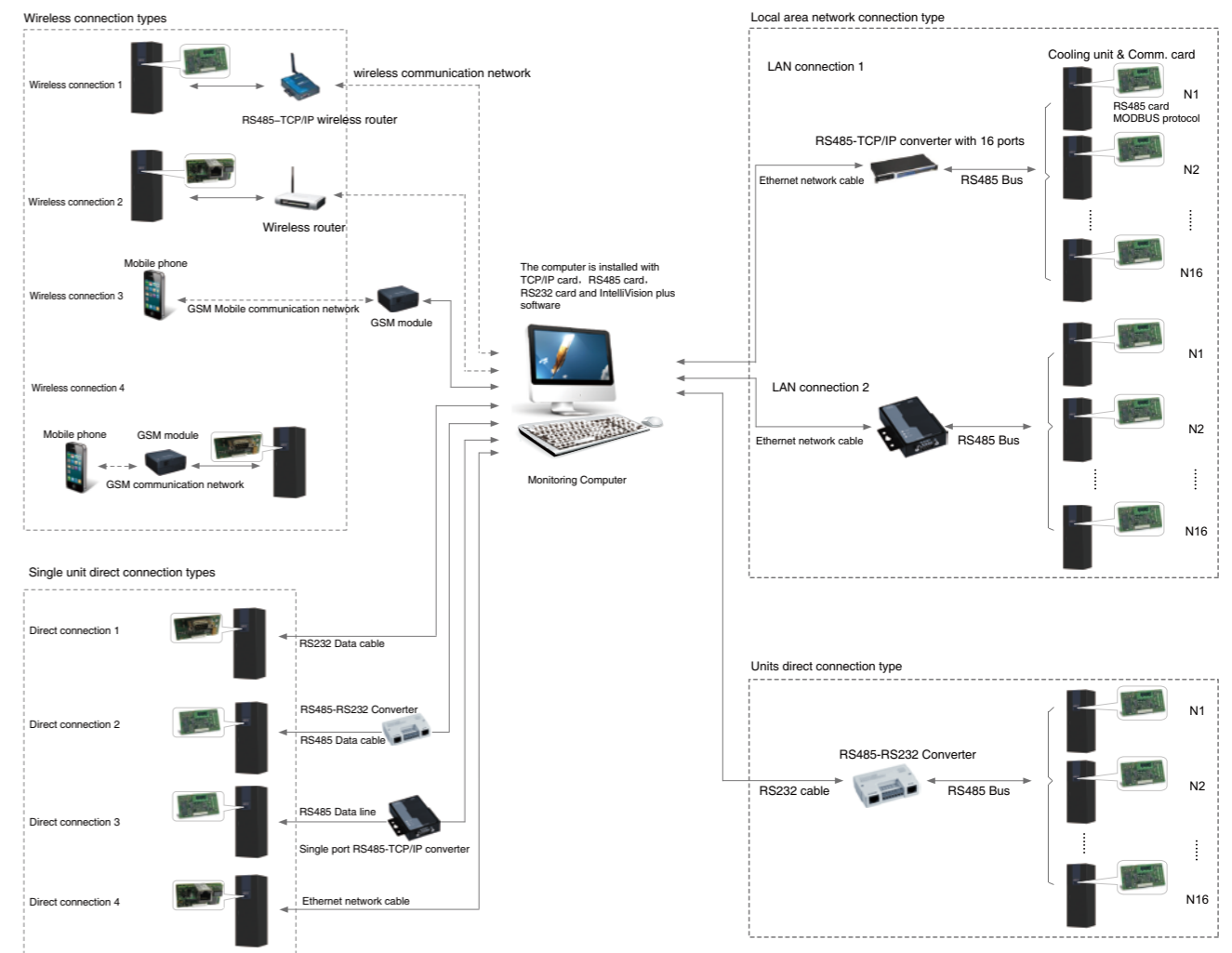
Remote Control & Monitoring Network

Networking and Monitoring of air conditioning equipment is typically a subsystem of a Building Management System (BMS) and provides centralized monitoring and management of all the air-conditioning equipment. Thanks to years of experience in the production and application of precision air conditioning equipment, AIRSYS is able to provide a variety of monitoring systems ranging from simple SMS alarm monitoring to the most sophisticated TERA cloud based GPRS wireless

centralized monitoring system. There is a solution available to suit all sites and installations.

A given unit can be remote controlled or monitored via several means:

- 3 kinds of local direct cable connection
- 3 kinds of LAN network connection
- 4 kinds of wireless network connection



Product Configuration

Standard Configuration

Steel frames, base & top powder coated in black
Steel front panel powder coated in black, heat and sound insulated plates
Rotor compressor (5 & 7kW units)/Scroll compressor (others)
Double inlet centrifugal EC fan
Copper tube aluminum finned evaporator
Thermal expansion valve
Sight glass(not available for 5R1C0, 7R1C0, 13E1C0)
Filter dryer
High pressure transducer (not available for 5R1C0, 7R1C0, 13E1C0)
Liquid receiver(not available for 5R1C0, 7R1C0, 13E1C0)
Electrode humidifier, 50Hz unit available with multi-stage humidifier
Stainless steel fin electrical heater, 50 Hz unit available with multiple capacities
G4 air filter
Return air temperature and RH sensor
Pressure switch/protection
Micro-controller system
Phase protection (only available for 3-phase unit)
Continuous control system for condensing pressure Electrical panel for

MCBs of compressor, fan motor, heater, humidifier etc.
Contactors of compressor, fan motor, heater, humidifier etc.
Transformer(s) for auxiliary circuitry and microcontroller
Wooden packaging

Options

Scroll compressor (5 & 7kW units)
Double inlet centrifugal AC fan (only available for 50Hz unit)
Low-ambient startup kit for -20 °C or lower
Dirty filter alarm
Supply air temperature sensor
Supply air pressure sensor
Installation stands with adjustable legs
Floor water sensor/alarm kit
Additional floor water detector
GSM short message module
RS232 communication card
RS485 communication card
pCOweb communication card
Clock card
Communication protocol converter

Heater/humidifier Configuration Table

		5R1C0	7R1C0	13E1C0	15E1C2	18E1C2	22E1C3	25E1C3	30E1C3
Heater capacity (kW)	2.3	●	●	—	—	—	—	—	—
	4.5	—	—	●	—	—	—	—	—
	6	—	—	—	●	●	—	—	—
	9	—	—	—	○	○	●	●	●
	12	—	—	—	—	—	○	○	○
13.5	—	—	—	—	—	○	○	○	
Humidifier capacity (kg/h)	3	●	●	●	—	—	—	—	—
	5	—	—	—	●	●	●	—	—
	8	—	—	—	○	○	○	●	●
	10	—	—	—	—	—	○	○	○
	13	—	—	—	—	—	○	○	○
15	—	—	—	—	—	○	○	○	

Note: "●"standard configuration, "○"option available, "—"no option available.

Specification & Parameters

380V/3Ph/50Hz

Unit Model		5R1C0	7R1C0	13E1C0	15E1C2	18E1C2	22E1C3	25E1C3	30E1C3
Supply air scheme(1)		O/U/DL/TP							
Cooling capacity									
Total(2)	kW	5.8	7.4	13.2	15.4	18.3	22.2	25.0	30.2
Sensible(2)	kW	5.3	6.7	11.9	14.1	16.8	20.4	23.4	27.3
Total(3)	kW	6.1	7.6	13.4	15.7	18.7	22.6	25.9	30.6
Sensible(3)	kW	5.7	7.1	12.5	14.6	17.4	21.0	24.1	28.5
Compressor									
Type		Hermetic rotor			Hermetic scroll				
Power input(2)	kW	1.7	2.1	3.3	3.7	4.4	5.4	5.9	6.9
Current(2)	A	7.6	3.8	5.9	6.5	7.9	10.4	11.2	12.7
Power input(3)	kW	1.8	2.2	3.4	3.8	4.5	5.5	6.0	7.0
Current(3)	A	7.7	3.9	6.0	6.6	8.0	10.5	11.5	12.9
Fan									
Type		Double inlet centrifugal EC fan							
Qty. of fan	n.	1	1	1	1	1	2	2	2
Air volume	m ³ /h	1650	1650	2630	4050	4050	5100	6500	6500
External Static pressure(ESP)	Pa	0	0	0	30	30	50	50	50
Power input	kW	0.35	0.35	0.55	1.40	1.40	0.80	1.20	1.20
Current	A	1.7	1.7	2.7	2.6	2.6	1.3	2.1	2.1
Refrigerant									
Type		R410A							
Charging amount	kg	1.5	2.3	3.2	4.5	5.2	6.5	7.0	7.5
Noise level(4)	dB	63	63	63	63	63	63	63	66
Heater(5)									
Type		Finned stainless tube							
Heating capacity	kW	2.3	2.3	4.5	6.0	6.0	9.0	9.0	9.0
Current	A	3.4	3.4	6.8	9.1	9.1	13.6	13.6	13.6
Working steps	n.	1	1	1	2	2	2	2	2
Humidifier(5)									
Type		Electrode							
Capacity	kg/h	3	3	3	5	5	5	8	8
Current	A	3.4	3.4	3.4	5.7	5.7	5.7	9.2	9.2
Power input	kW	2.3	2.3	2.3	3.8	3.8	3.8	6.0	6.0
Outdoor unit									
OD Model*Qty(6)		CMDG3*1	CMDG4*1	CMDG5*1	CMEG5*1	CMEG8*1	CMEG8*1	CMEG10*1	CMEG10*1
Power supply									
Power source		380V/3Ph/50Hz							
Unit max. operating power input(7)	kW	5.3	6.2	10.5	14.5	15.7	18.3	19.4	20.8
Unit max. operating current input(7)	A	16.4	12.6	19.8	22.9	26.5	31.5	33.2	36.0
Unit piping connection									
Condensate water drainage	in	3/4"	3/4"	3/4"	3/4"	3/4"	3/4"	3/4"	3/4"
Humidifier water supply	in	1/2"	1/2"	1/2"	1/2"	1/2"	1/2"	1/2"	1/2"
Ref. connecting type		Bell mouth thread connection			Welding connection				
Refrigerant gas	in/mm	1/2"	1/2"	5/8"	19	22	22	22	22
Refrigerant liquid	in/mm	3/8"	3/8"	1/2"	12	16	16	16	16
Unit external dimensions and Weight									
Width	mm	650	650	650	900	900	1300	1300	1300
Depth	mm	580	580	580	750	750	750	750	750
Height	mm	1910	1910	1910	1910	1910	1910	1910	1910
Net weight	kg	148	149	174	245	248	350	360	369
Wooden packaging dimension and Weight									
Width	mm	820	820	820	1010	1010	1410	1410	1410
Depth	mm	770	770	770	885	885	885	885	885
Height	mm	2090	2090	2090	2090	2090	2090	2090	2090
Weight	kg	222	223	248	335	338	455	465	474

- (1) O: Up-flow with top-front supply; U: Down-flow with bottom supply; DL: Displacement (down-flow with front supply); TP: Up-flow with top supply and bottom-front;
- (2) Return air temperature 24°C DB, humidity at 50%, outdoor temperature 35°C DB;
- (3) Return air temperature 28°C DB, humidity at 40%, outdoor temperature 35°C DB;
- (4) Tested at 1m distance, free field;
- (5) In this table, only the default heater/humidifier capacities are shown; please refer to "Heater/humidifier Configuration Table" for other available options for each model;
- (6) For specific data, please refer to outdoor unit technical parameters. CMDG condenser only accommodate vertical installation;
- (7) Max operating power and current: in extreme conditions when ambient temperature is 45°C and the electric heater is running at full capacity to de-humidify.

220V/1Ph/50Hz

Unit Model		5R1C0	7R1C0
Supply air scheme(1)		O/U/DL/TP	
Cooling capacity			
Total(2)	kW	5.8	7.4
Sensible(2)	kW	5.3	6.7
Total(3)	kW	6.1	7.6
Sensible(3)	kW	5.7	7.1
Compressor			
Type		Hermetic rotor	
Power input(2)	kW	1.7	2.0
Current(2)	A	7.6	9.0
Power input(3)	kW	1.8	2.1
Current(3)	A	7.7	9.1
Fan			
Type		Double inlet centrifugal EC fan	
Qty. of fan	n.	1	1
Air volume	m ³ /h	1650	1650
External Static pressure(ESP)	Pa	0	0
Power input	kW	0.35	0.35
Current	A	1.7	1.7
Refrigerant			
Type		R410A	
Charging amount	kg	1.5	2.3
Noise level(4)	dB	63	63
Heater(5)			
Type		Finned stainless tube	
Heating capacity	kW	2.3	2.3
Current	A	5.9	5.9
Working steps	n.	1	1
Humidifier(5)			
Type		Electrode	
Capacity	kg/h	3	3
Current	A	2.3	2.3
Power input	kW	10.3	10.3
Outdoor unit			
OD Model*Qty(6)		CMDG3*1	CMDG4*1
Power supply			
Power source		220V/1Ph/50Hz	
Unit max. operating power input(7)	kW	5.3	6.2
Unit max. operating current input(7)	A	23.3	19.5
Unit piping connection			
Condensate water drainage	in	3/4"	
Humidifier water supply	in	1/2"	
Ref. connecting type		Bell mouth thread connection	
Refrigerant gas	in	1/2"	1/2"
Refrigerant liquid	in	3/8"	3/8"
Unit external dimensions and Weight			
Width	mm	650	650
Depth	mm	580	580
Height	mm	1910	1910
Net weight	kg	148	149
Wooden packaging dimension and Weight			
Width	mm	820	820
Depth	mm	770	770
Height	mm	2090	2090
Weight	kg	222	223

- (1) O: Up-flow with top-front supply; U: Down-flow with bottom supply; DL: Displacement (down-flow with front supply); TP: Up-flow with top supply and bottom-front
(2) Return air temperature 24°C DB, humidity at 50%, outdoor temperature 35°C DB;
(3) Return air temperature 28°C DB, humidity at 40%, outdoor temperature 35°C DB;
(4) Tested at 1m distance, free field;
(5) In this table, only the default heater/humidifier capacities are shown; please refer to "Heater/humidifier Configuration Table" for other available options for each model;
(6) For specific data, please refer to outdoor unit technical parameters. CMDG condenser only accommodate vertical installation;
(7) Max operating power and current: in extreme conditions when ambient temperature is 45°C and the electric heater is running at full capacity to de-humidify.

380V/3Ph/60Hz

Unit Model		5R1C0	7R1C0	13E1C0	15E1C2	18E1C2	22E1C3	25E1C3	30E1C3
Supply air scheme(1)		O/U/DL/TP							
Cooling capacity									
Total(2)	kW	5.8	7.4	13.2	15.4	18.3	22.2	26.7	30.2
Sensible(2)	kW	5.3	6.7	11.9	14.1	16.8	20.4	23.4	27.3
Total(3)	kW	6.1	7.6	13.4	15.7	18.7	22.6	25.9	30.6
Sensible(3)	kW	5.7	7.1	12.5	14.6	17.4	21.0	24.1	28.5
Compressor									
Type		Hermetic rotor			Hermetic scroll				
Power input(2)	kW	1.7	2.0	3.4	3.6	4.4	5.3	6.5	7.0
Current(2)	A	7.6	9.0	6.0	7.2	8.0	9.7	11.4	13.5
Power input(3)	kW	1.8	2.2	3.4	3.7	4.5	5.5	6.0	7.0
Current(3)	A	7.7	3.9	6.0	7.3	8.0	10.5	11.5	12.9
Fan									
Type		Double inlet centrifugal EC fan							
Qty. of fan	n.	1	1	1	1	1	2	2	2
Air volume	m ³ /h	2000	2000	2630	4050	4050	5100	6500	6500
External Static pressure(ESP)	Pa	0	0	0	30	30	50	50	50
Power input	kW	0.36	0.36	0.66	0.8	0.8	1.2	1.6	1.6
Current	A	1.8	1.8	2.9	3.6	3.6	5.4	7.2	7.2
Refrigerant									
Type		R410A							
Charging amount	kg	1.5	2.3	3.2	4.5	5.2	6.5	7.0	7.5
Noise level(4)	dB	63	63	63	63	63	63	63	66
Heater(5)									
Type		Finned stainless tube							
Heating capacity	kW	2.3	2.3	4.5	6.0	6.0	9.0	9.0	9.0
Current	A	3.4	3.4	6.8	9.1	9.1	13.6	13.6	13.6
Working steps	n.	1	1	1	2	2	2	2	2
Humidifier(5)									
Type		Electrode							
Capacity	kg/h	3	3	3	5	5	5	8	8
Current	A	2.3	2.3	2.3	3.8	3.8	3.8	6.0	6.0
Power input	kW	3.4	3.4	3.4	5.7	5.7	5.7	9.2	9.2
OD Model*Qty(6)		CMDG3*1	CMDG4*1	CMDG5*1	CMEG5*1	CMEG8*1	CMEG8*1	CMEG10*1	CMEG10*1
Power supply									
Power source		380V/3Ph/60Hz							
Unit max. operating power input(7)	kW	5.4	6.2	11.2	12.8	14.4	18.8	20.9	21.6
Unit max. operating current input(7)	A	16.3	20.8	21.11	25.5	27.5	35.8	40.1	42.2
Unit piping connection									
Condensing water drainage	in	3/4"							
Humidifier water supply	in	1/2"							
Ref. connecting type		Bell mouth thread connection			Welding connection				
Refrigerant gas	in/mm	1/2"	1/2"	5/8"	19	22	22	22	22
Refrigerant liquid	in/mm	3/8"	3/8"	1/2"	12	16	16	16	16
Unit external dimensions and Weight									
Width	mm	650	650	650	900	900	1300	1300	1300
Depth	mm	580	580	580	750	750	750	750	750
Height	mm	1910	1910	1910	1910	1910	1910	1910	1910
Net weight	kg	148	149	174	245	248	350	360	369
Wooden packaging dimension and Weight									
Width	mm	820	820	820	1010	1010	1410	1410	1410
Depth	mm	770	770	770	885	885	885	885	885
Height	mm	2090	2090	2090	2090	2090	2090	2090	2090
Weight	kg	222	223	248	335	338	455	465	474

- (1) O: Up-flow with top-front supply; U: Down-flow with bottom supply; DL: Displacement (down-flow with front supply); TP: Up-flow with top supply and bottom-front
(2) Return air temperature 24°C DB, humidity at 50%, outdoor temperature 35°C DB;
(3) Return air temperature 28°C DB, humidity at 40%, outdoor temperature 35°C DB;
(4) Tested at 1m distance, free field;
(5) In this table, only the default heater/humidifier capacities are shown; please refer to "Heater/humidifier Configuration Table" for other available options for each model;
(6) For specific data, please refer to outdoor unit technical parameters. CMDG condenser only accommodate vertical installation;
(7) Max operating power and current: in extreme conditions when ambient temperature is 45°C and the electric heater is running at full capacity to de-humidify.

208~230V/3Ph/60Hz

Unit Model		5R1C0	7R1C0	13E1C0	15E1C2	18E1C2	22E1C3	25E1C3	30E1C3
Supply air scheme(1)		O/U/DL/TP							
Cooling capacity									
Total (2)	kW	5.8	7.4	13.2	15.4	18.3	22.2	26.8	30.2
Sensible (2)	kW	5.3	6.7	11.9	14.1	16.8	20.4	23.4	27.3
Total (3)	kW	6.1	7.6	13.4	15.7	18.7	22.6	25.9	30.6
Sensible (3)	kW	5.7	7.1	12.5	14.6	17.4	21.0	24.1	28.5
Compressor									
Type		Hermetic rotor				Hermetic scroll			
Power input(2)	kW	1.7	2.0	3.3	3.5	4.4	5.3	6.6	7.0
Current(2)	A	7.6	9.0	9.7	10.6	13.2	16.1	19.2	22.2
Power input(3)	kW	1.8	2.1	3.4	3.6	4.5	5.4	6.7	7.1
Current(3)	A	7.7	9.1	9.8	10.7	13.3	16.2	19.3	22.3
Fan									
Type		Double inlet centrifugal EC fan							
Qty. of fan	n.	1	1	1	1	1	2	2	2
Air volume	m ³ /h	2000	2000	2630	4050	4050	5100	6500	6500
External Static pressure(ESP)	Pa	30	30	30	30	30	50	50	50
Power input	kW	0.4	0.4	0.6	0.7	0.7	1.2	1.6	1.6
Current	A	1.8	1.8	2.7	2.6	2.6	5.4	7.2	7.2
Refrigerant									
Type		R410A							
Charging amount	kg	1.5	2.3	3.2	4.5	5.2	6.5	7.0	7.5
Noise level(4)	dB	63	63	63	63	63	63	63	66
Heater(5)									
Type		Finned stainless tube							
Heating capacity	kW	2.3	2.3	4.5	6.0	6.0	9.0	9.0	9.0
Current	A	5.9	5.9	11.8	15.8	15.8	23.6	23.6	23.6
Working steps	n.	1	1	1	2	2	2	2	2
Humidifier(5)									
Type		Electrode							
Capacity	kg/h	3	3	3	5	5	5	8	8
Current	A	2.3	2.3	2.3	3.8	3.8	3.8	6.0	6.0
Power input	kW	5.9	5.9	5.9	9.9	9.9	9.9	15.9	15.9
OD Model*Qty(6)		CMDG3*1	CMDG4*1	CMDG5*1	CMEG5*1	CMEG8*1	CMEG8*1	CMEG10*1	CMEG10*1
Power supply									
Power source		208~230V/3Ph/60Hz							
Unit max. operating power input(7)	kW	5.7	6.5	11.0	12.9	14.3	18.8	21.0	21.7
Unit max. operating current input(7)	A	18.8	23.3	31.3	36.1	40.7	54.4	61.1	63.7
Unit piping connection									
Condensing water drainage Φ	in	3/4"							
Humidifier water supply Φ	in	1/2"							
Ref. connecting type		Bell mouth thread connection				Welding connection			
Refrigerant gas Φ	in/mm	1/2"	1/2"	5/8"	19	22	22	22	22
Refrigerant liquid Φ	in/mm	3/8"	3/8"	1/2"	12	16	16	16	16
Unit external dimensions and Weight									
Length	mm	650	650	650	900	900	1300	1300	1300
Width	mm	580	580	580	750	750	750	750	750
Height	mm	1910	1910	1910	1910	1910	1910	1910	1910
Net weight	kg	148	149	174	245	248	350	360	369
Wooden packaging dimension and Weight									
Width	mm	820	820	820	1010	1010	1410	1410	1410
Depth	mm	770	770	770	885	885	885	885	885
Height	mm	2090	2090	2090	2090	2090	2090	2090	2090
Weight	kg	222	223	248	335	338	455	465	474

- (1) O: Up-flow with top-front supply; U: Down-flow with bottom supply; DL: Displacement (down-flow with front supply); TP: Up-flow with top supply and bottom-front
(2) Return air temperature 24°C DB, humidity at 50%, outdoor temperature 35°C DB;
(3) Return air temperature 28°C DB, humidity at 40%, outdoor temperature 35°C DB;
(4) Tested at 1m distance, free field;
(5) In this table, only the default heater/humidifier capacities are shown; please refer to "Heater/humidifier Configuration Table" for other available options for each model;
(6) For specific data, please refer to outdoor unit technical parameters. CMDG condenser only accommodate vertical installation;
(7) Max operating power and current: in extreme conditions when ambient temperature is 45°C and the electric heater is running at full capacity to de-humidify.

460V/3Ph/60Hz

Unit Model		5R1C0	7R1C0	13E1C0	15E1C2	18E1C2	22E1C3	25E1C3	30E1C3
Supply air scheme(1)		O/U/DL/TP							
Cooling capacity									
Total (2)	kW	5.8	7.4	13.2	15.4	18.3	22.2	26.7	30.2
Sensible (2)	kW	5.3	6.7	11.9	14.1	16.8	20.4	23.4	27.3
Total (3)	kW	6.1	7.6	13.4	15.7	18.7	22.6	25.9	30.6
Sensible (3)	kW	5.7	7.1	12.5	14.6	17.4	21.0	24.1	28.5
Compressor									
Type		Hermetic rotor				Hermetic scroll			
Power input(2)	kW	1.7	2.0	3.4	3.5	4.4	5.3	6.6	7.0
Current(2)	A	6.7	3.2	4.8	5.4	6.6	8.0	10.5	11.0
Power input(3)	kW	1.8	2.2	3.4	3.7	4.5	5.5	6.0	7.0
Current(3)	A	6.8	3.3	4.9	5.5	6.7	8.1	10.6	11.1
Fan									
Type		Double inlet centrifugal EC fan							
Qty. of fan	n.	1	1	1	1	1	2	2	2
Air volume	m ³ /h	2000	2000	2630	4050	4050	5100	6500	6500
External Static pressure(ESP)	Pa	3	3	3	30	30	50	50	50
Power input	kW	0.4	0.4	0.7	0.7	0.7	1.2	1.6	1.6
Current	A	1.5	1.5	2.4	1.0	1.0	4.5	6.0	6.0
Refrigerant									
Type		R410A							
Charging amount	kg	1.5	2.3	3.2	4.5	5.2	6.5	7.0	7.5
Noise level(4)	dB	63	63	63	63	63	63	63	66
Heater(5)									
Type		Finned stainless tube							
Heating capacity	kW	2.3	2.3	4.5	6.0	6.0	9.0	9.0	9.0
Current	A	2.9	2.9	5.7	7.6	7.6	11.3	11.3	11.3
Working steps	n.	1	1	1	2	2	2	2	2
Humidifier(5)									
Type		Electrode							
Capacity	kg/h	3	3	3	5	5	5	8	8
Current	kW	2.3	2.3	2.3	3.8	3.8	3.8	6.0	6.0
Power input	A	2.9	2.9	2.9	4.7	4.7	4.7	7.6	7.6
OD Model*Qty(6)		CMDG3*1	CMDG4*1	CMDG5*1	CMEG5*1	CMEG8*1	CMEG8*1	CMEG10*1	CMEG10*1
Power supply									
Power source		460V/3Ph/60Hz							
Unit max. operating power input(7)	kW	5.6	6.2	10.8	12.4	14.3	18.8	21.0	21.7
Unit max. operating current input(7)	A	15.9	10.4	17.3	18.3	21.3	30.1	34.5	35.5
Unit piping connection									
Condensing water drainage Φ	in	3/4"							
Humidifier water supply Φ	in	1/2"							
Ref. connecting type		Bell mouth thread connection				Welding connection			
Refrigerant gas Φ	in/mm	1/2"	1/2"	5/8"	19	22	22	22	22
Refrigerant liquid Φ	in/mm	3/8"	3/8"	1/2"	12	16	16	16	16
Unit external dimensions and Weight									
Length	mm	650	650	650	900	900	1300	1300	1300
Width	mm	580	580	580	750	750	750	750	750
Height	mm	1910	1910	1910	1910	1910	1910	1910	1910
Net weight	kg	148	149	174	245	248	350	360	369
Wooden packaging dimension and Weight									
Width	mm	820	820	820	1010	1010	1410	1410	1410
Depth	mm	770	770	770	885	885	885	885	885
Height	mm	2090	2090	2090	2090	2090	2090	2090	2090
Weight	kg	222	223	248	335	338	455	465	474

- (1) O: Up-flow with top-front supply; U: Down-flow with bottom supply; DL: Displacement (down-flow with front supply); TP: Up-flow with top supply and bottom-front
(2) Return air temperature 24°C DB, humidity at 50%, outdoor temperature 35°C DB;
(3) Return air temperature 28°C DB, humidity at 40%, outdoor temperature 35°C DB;
(4) Tested at 1m distance, free field;
(5) In this table, only the default heater/humidifier capacities are shown; please refer to "Heater/humidifier Configuration Table" for other available options for each model;
(6) For specific data, please refer to outdoor unit technical parameters. CMDG condenser only accommodate vertical installation;
(7) Max operating power and current: in extreme conditions when ambient temperature is 45°C and the electric heater is running at full capacity to de-humidify.

230V/1Ph/60Hz

Unit Model		5R1C0	7R1C0
Supply air scheme(1)		O/U//TP	
Cooling capacity			
Total(2)	kW	5.8	7.4
Sensible(2)	kW	5.2	6.6
Total(3)	kW	6.1	7.6
Sensible(3)	kW	5.7	7.1
Compressor			
Type		Hermetic rotor	
Power input(2)	kW	1.7	2.0
Current(2)	A	7.6	8.8
Power input(3)	kW	1.8	2.1
Current(3)	A	7.7	9.0
Fan			
Type		Double inlet centrifugal EC fan	
Qty. of fan	n.	1	1
Air volume	m ³ /h	2000	2000
External Static pressure(ESP)	Pa	0	0
Power input	kW	0.35	0.35
Current	A	1.7	1.7
Refrigerant			
Type		R410A	
Charging amount	kg	4.5	5.2
Heater(4)			
Type		Finned stainless tube	
Heating capacity	kW	2.25	2.25
Current	A	10.3	10.3
Working steps	n.	1	1
Noise level(4)	dB	63	63
Humidifier(5)			
Type		Electrode	
Capacity	kg/h	3	3
Current	A	2.3	2.3
Power input	kW	5.9	5.9
OD Model*Qty(6)		CMD3*1	CMD4*1
Power supply			
Power source		208-230V/1Ph/60Hz	
Unit max. operating power input(7)	kW	5.4	6.2
Unit max. operating current input(7)	A	23.2	27.7
Unit piping connection			
Condensing water drainage	in	3/4"	
Humidifier water supply	in	1/2"	
Ref. connecting type		Bell mouth thread connection	
Refrigerant gas	in	1/2"	1/2"
Refrigerant liquid	in	3/8"	3/8"
Unit external dimensions and Weight			
Width	mm	650	650
Depth	mm	580	580
Height	mm	1910	1910
Net weight	kg	148	149
Wooden packaging dimension and Weight			
Width	mm	820	820
Depth	mm	770	770
Height	mm	2090	2090
Weight	kg	222	223

- (1) O: Up-flow with top-front supply; U: Down-flow with bottom supply; DL: Displacement (down-flow with front supply); TP: Up-flow with top supply and bottom-front;
(2) Return air temperature 24°C DB, humidity at 50%, outdoor temperature 35°C DB;
(3) Return air temperature 28°C DB, humidity at 40%, outdoor temperature 35°C DB;
(4) Tested at 1m distance, free field;
(5) In this table, only the default heater/humidifier capacities are shown; please refer to "Heater/humidifier Configuration Table" for other available options for each model;
(6) For specific data, please refer to outdoor unit technical parameters. CMDG condenser only accommodate vertical installation;
(7) Max operating power and current: in extreme conditions when ambient temperature is 45°C and the electric heater is running at full capacity to de-humidify.

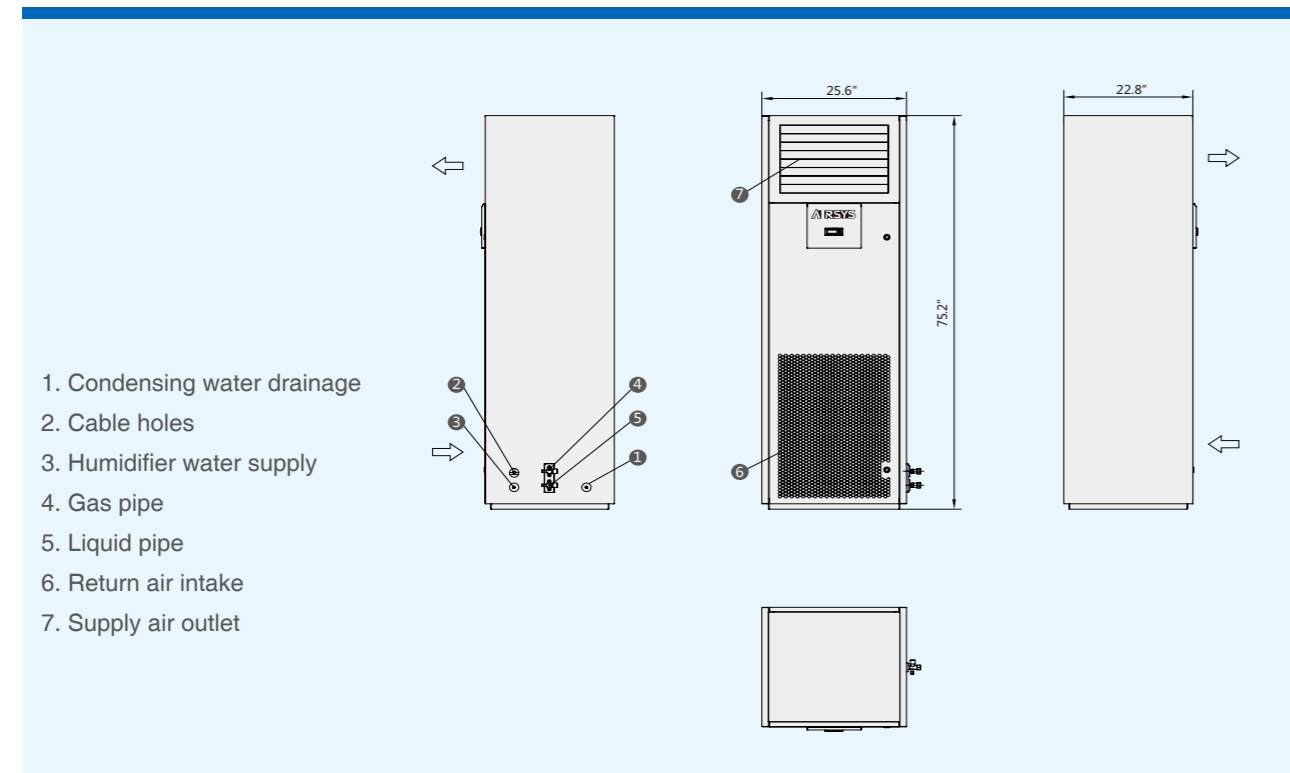
Outdoor unit

Unit model		CMDG3	CMDG4	CMDG5	CMEG5	CMEG8	CMEG10
Capacity (1)	kW	9.3	13.7	20.4	20.5	29.6	35.4
Fan							
Fan qty.	No.	1	1	1	1	1	1
Air flow rate	m ³ /h	4400	4100	5600	5600	10100	9700
Input power	kW	0.28	0.28	0.37	0.37	0.63	0.63
Input current	A	1.3	1.3	1.7	1.7	3	3
Connection tube size							
Gas pipe	in/mm	1/2"	1/2"	5/8"	19	22	22
Liquid pipe	in/mm	3/8"	3/8"	1/2"	12	16	16
Unit external dimensions and Weight							
Width	mm	808	808	1004	1140	1340	1340
Depth	mm	509	509	509	475	620	620
Height	mm	789	789	930	770	1070	1070
Weight	kg	29	35	43	47	95	110
Wooden packaging dimensions and Weight							
Width	mm	974	974	1170	1225	1455	1455
Depth	mm	650	650	650	610	755	755
Height	mm	970	970	1110	925	1225	1225
Weight	kg	59	65	78	82	145	160

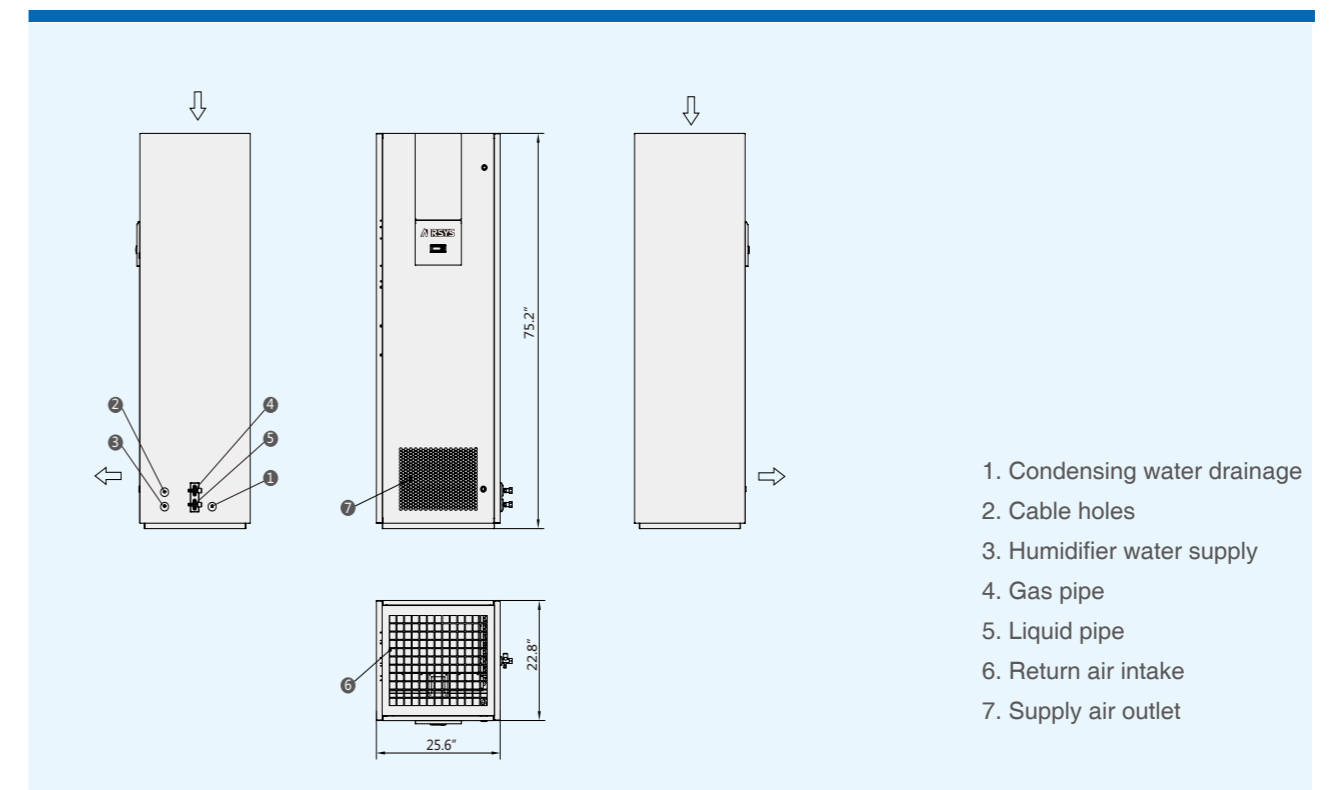
(1)The capacity is rated at entering air temperature 35°C and condensing temperature 50°C condition.

Unit Dimension Drawing

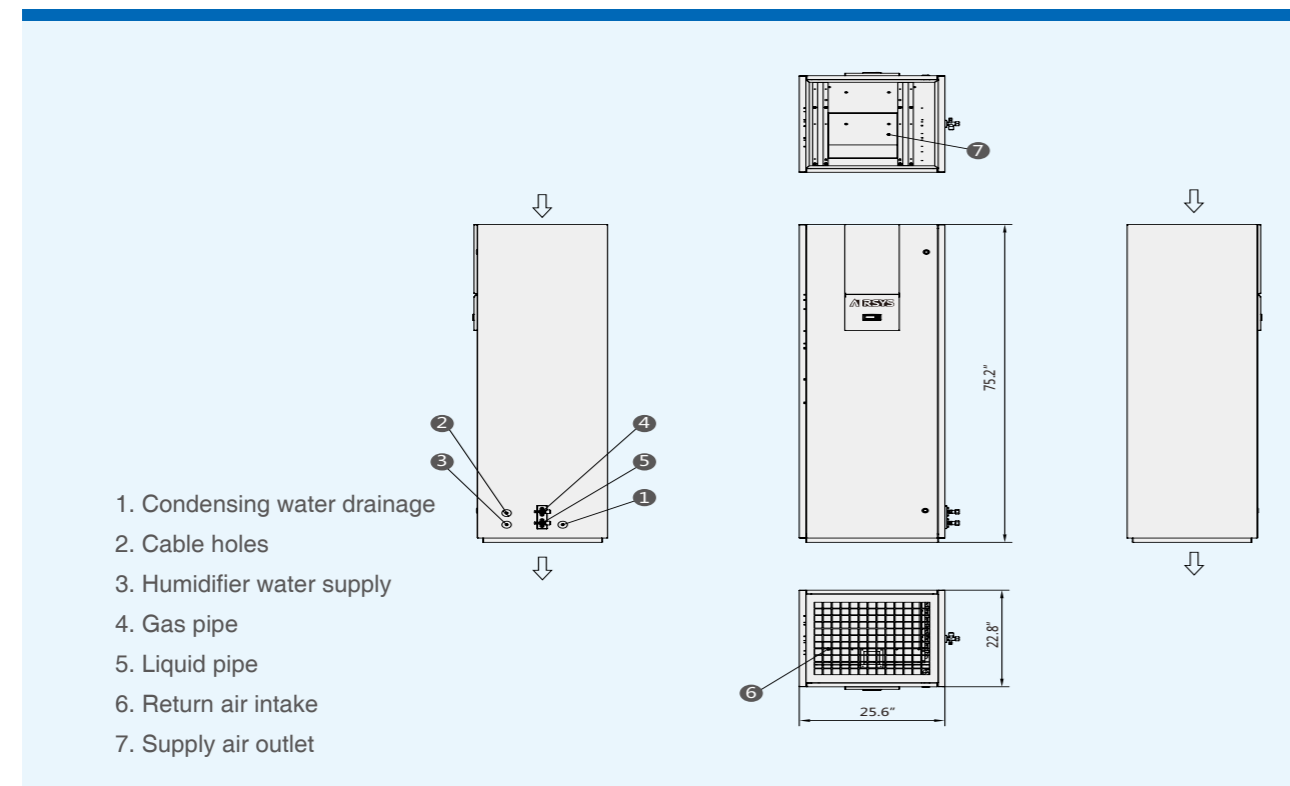
C0 Up-front throw (air) unit dimension drawing



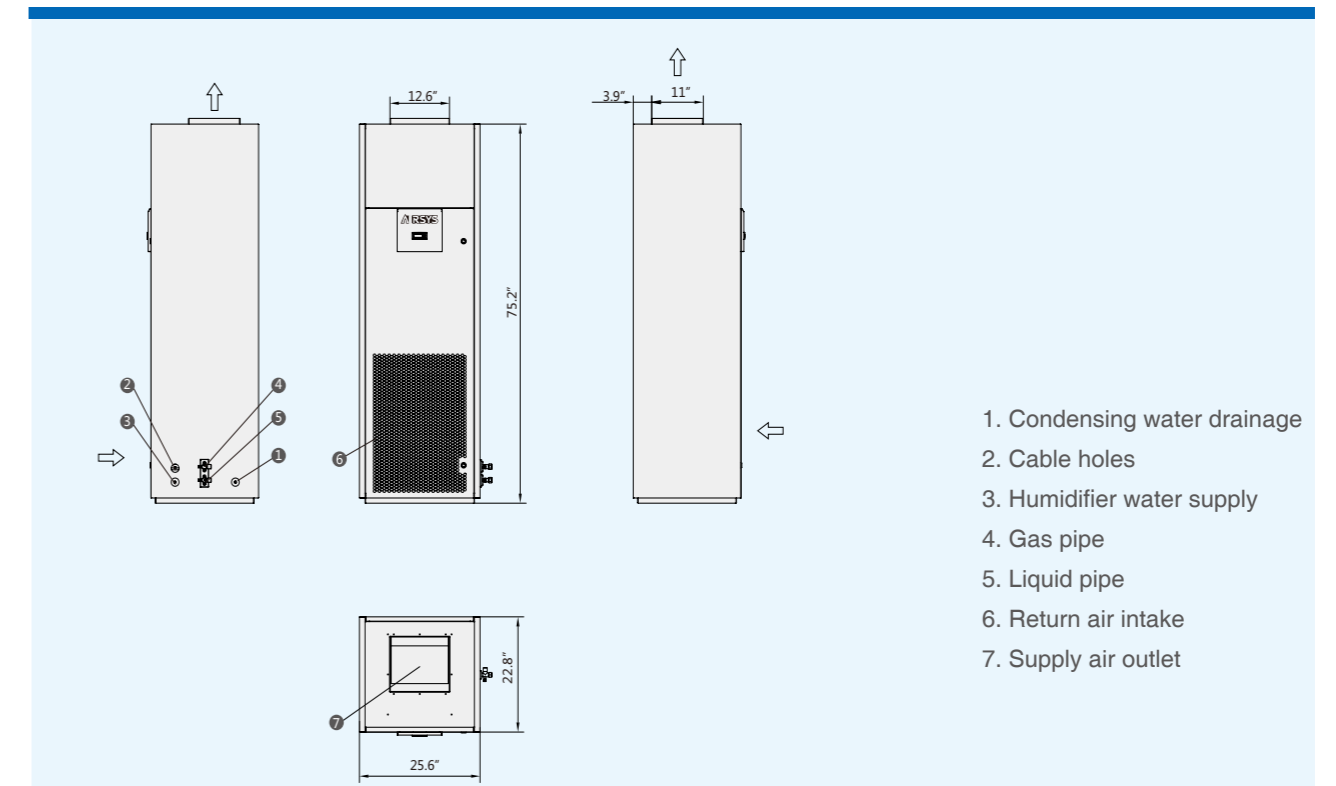
C0 Replacement (air) unit dimension drawing



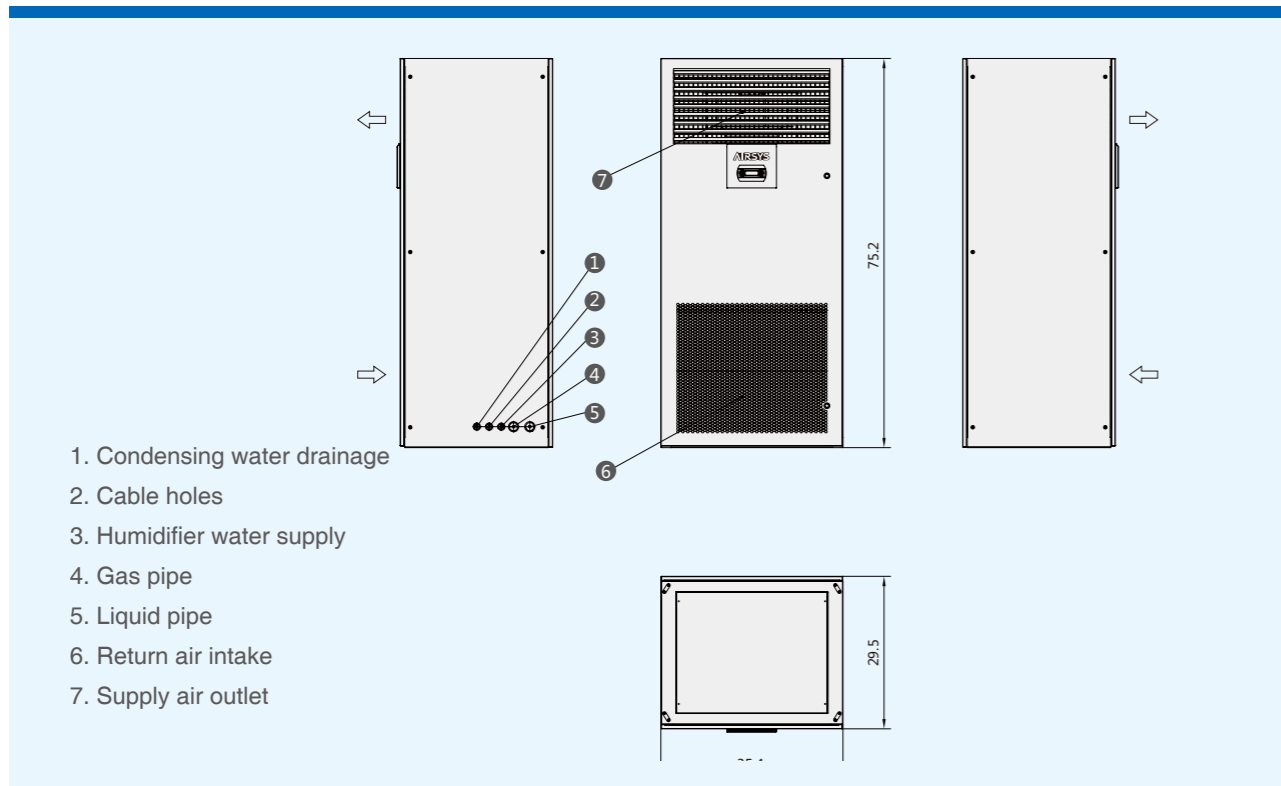
C0 Bottom throw (air) unit dimension drawing



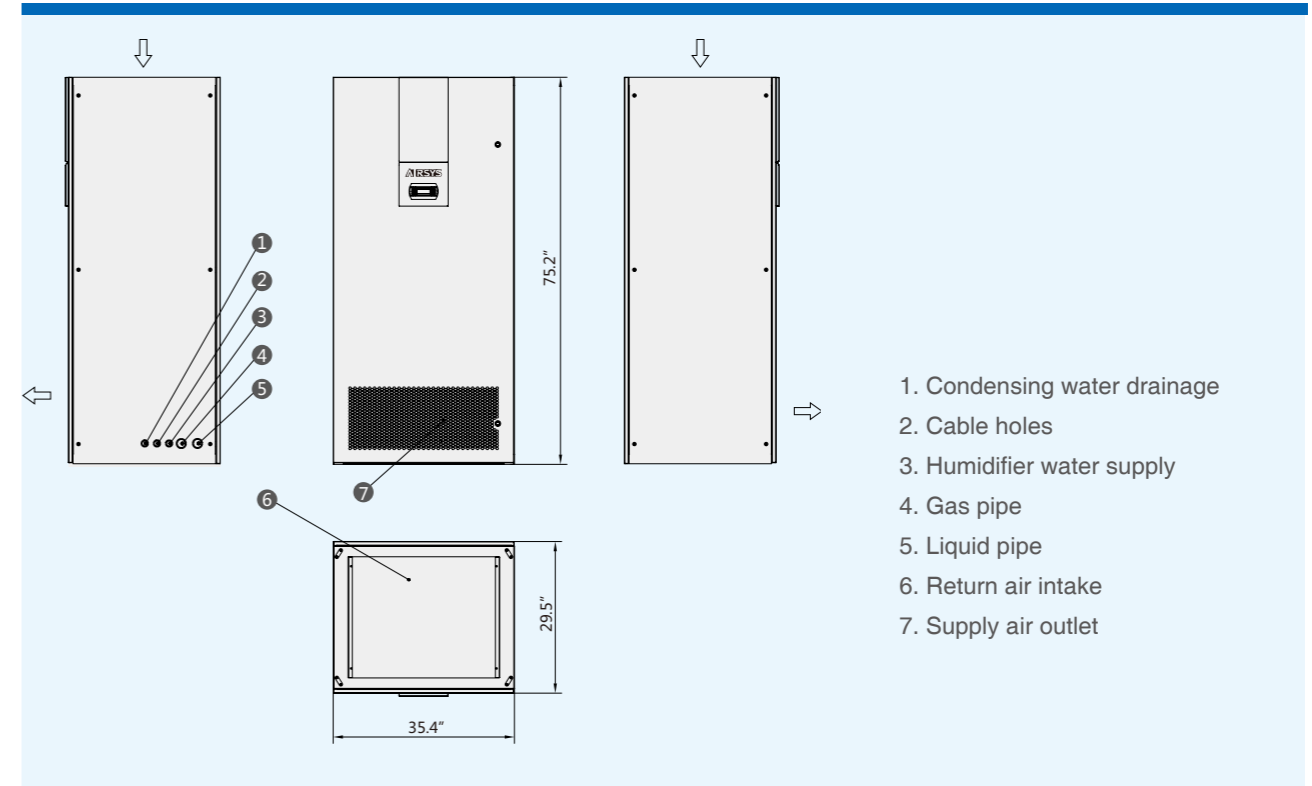
C0 Top throw (air) unit dimensions



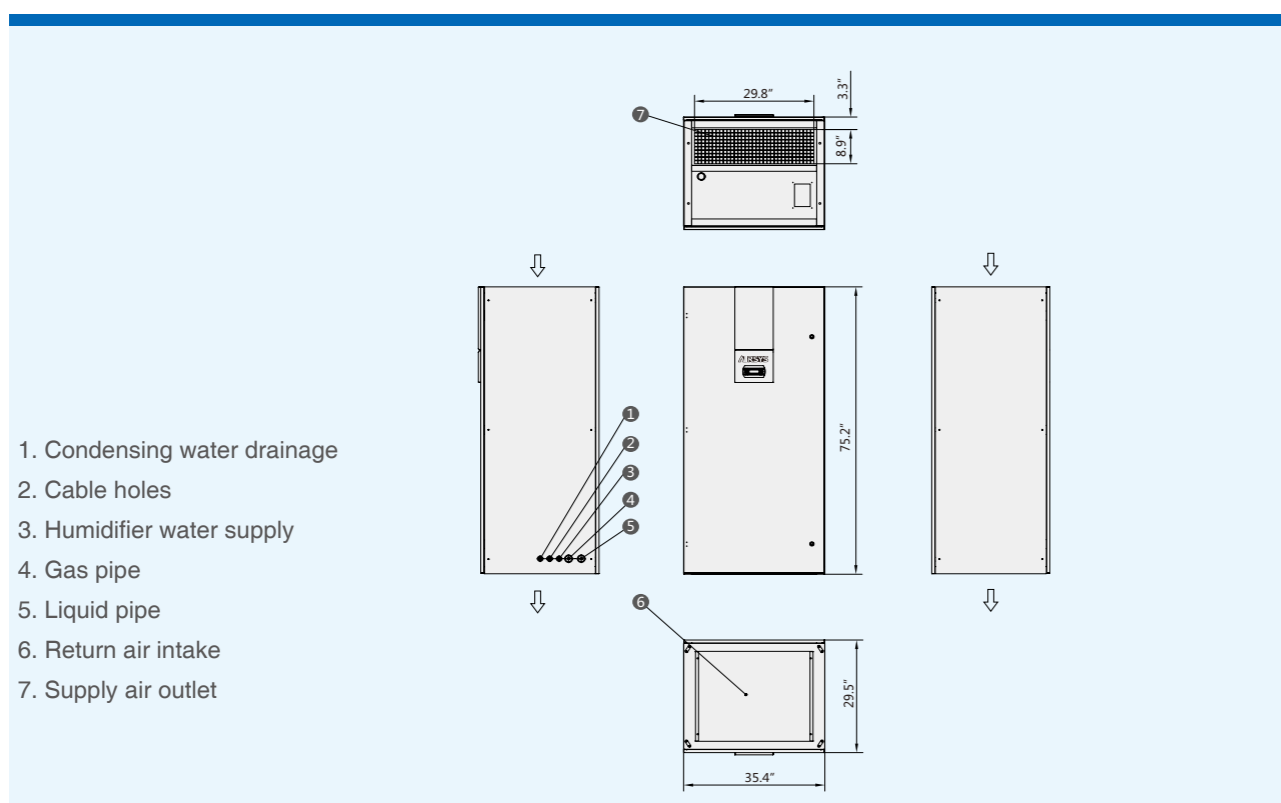
C2 Up-front throw (air) unit dimension drawing



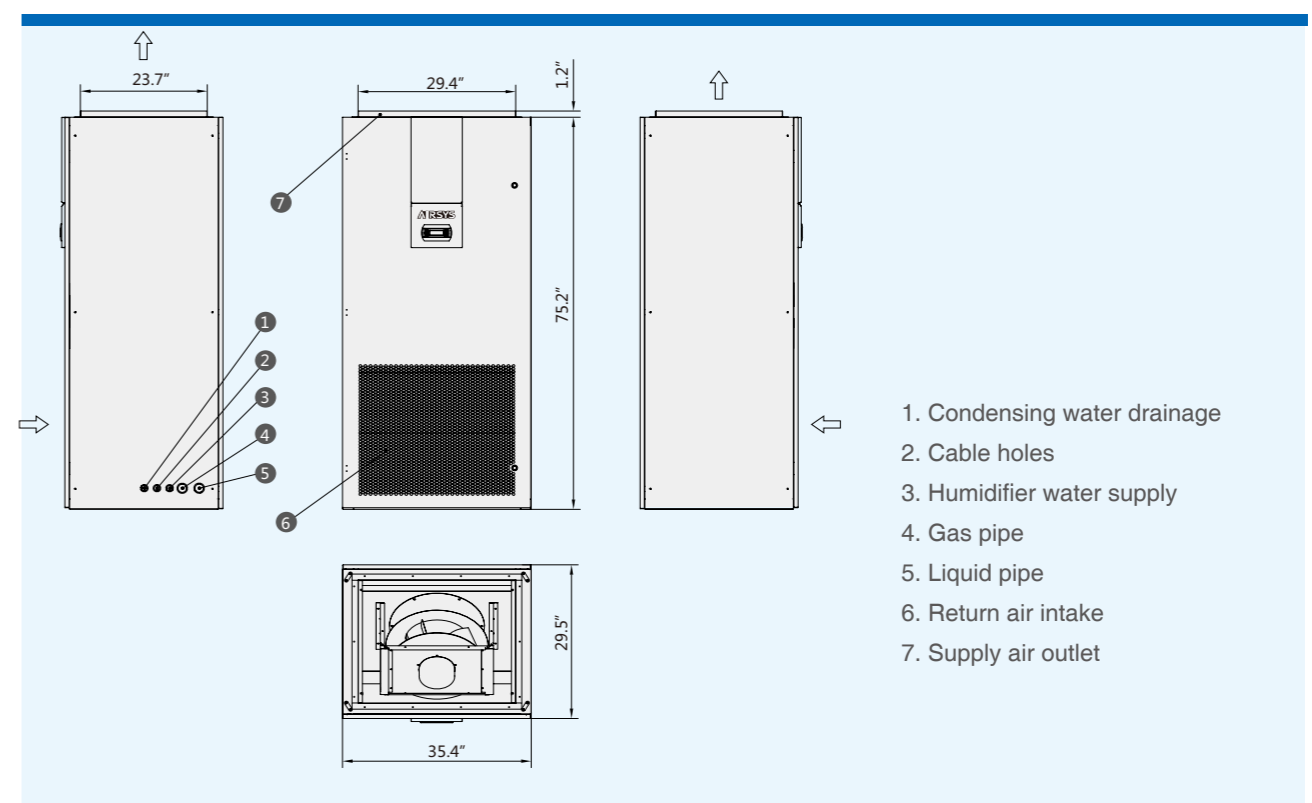
C2 Replacement (air) unit dimension drawing



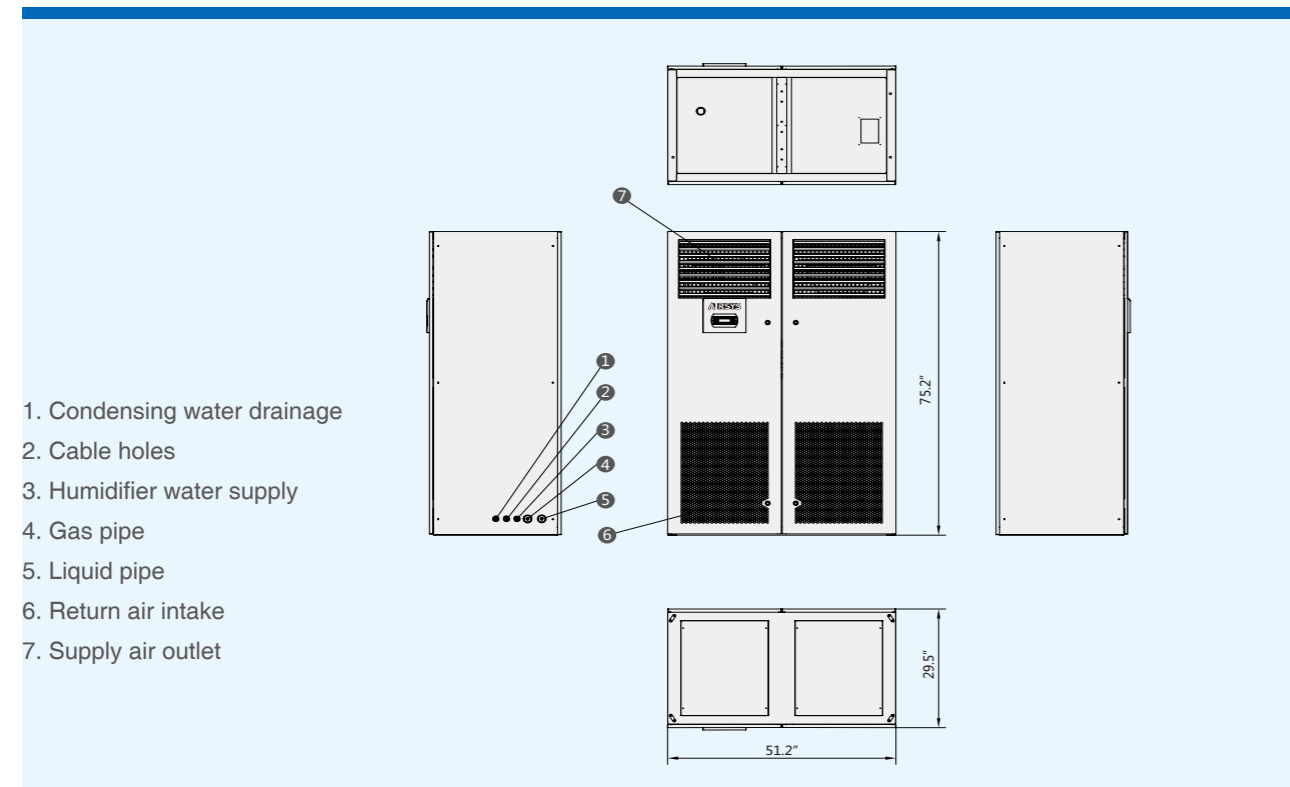
C2 Bottom throw (air) unit dimension drawing



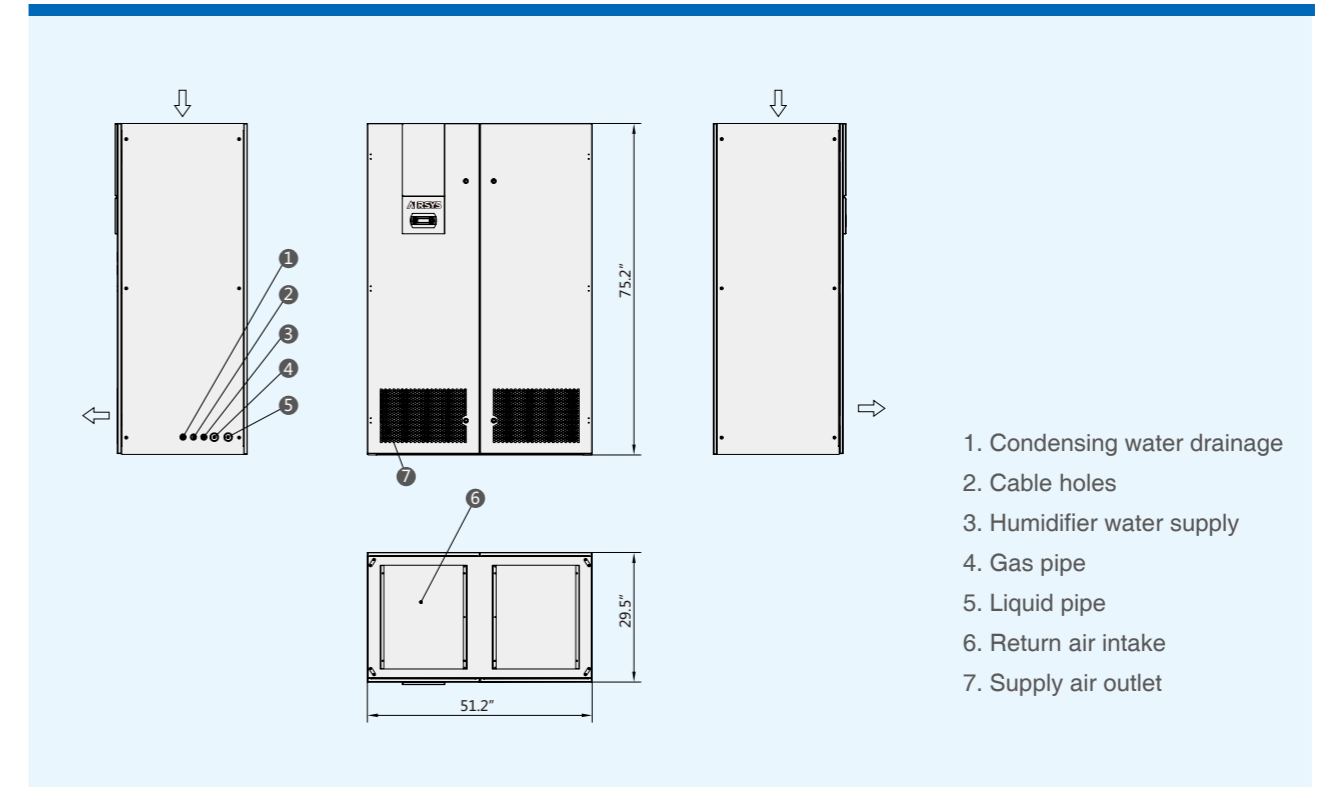
C2 Top throw (air) unit dimensions



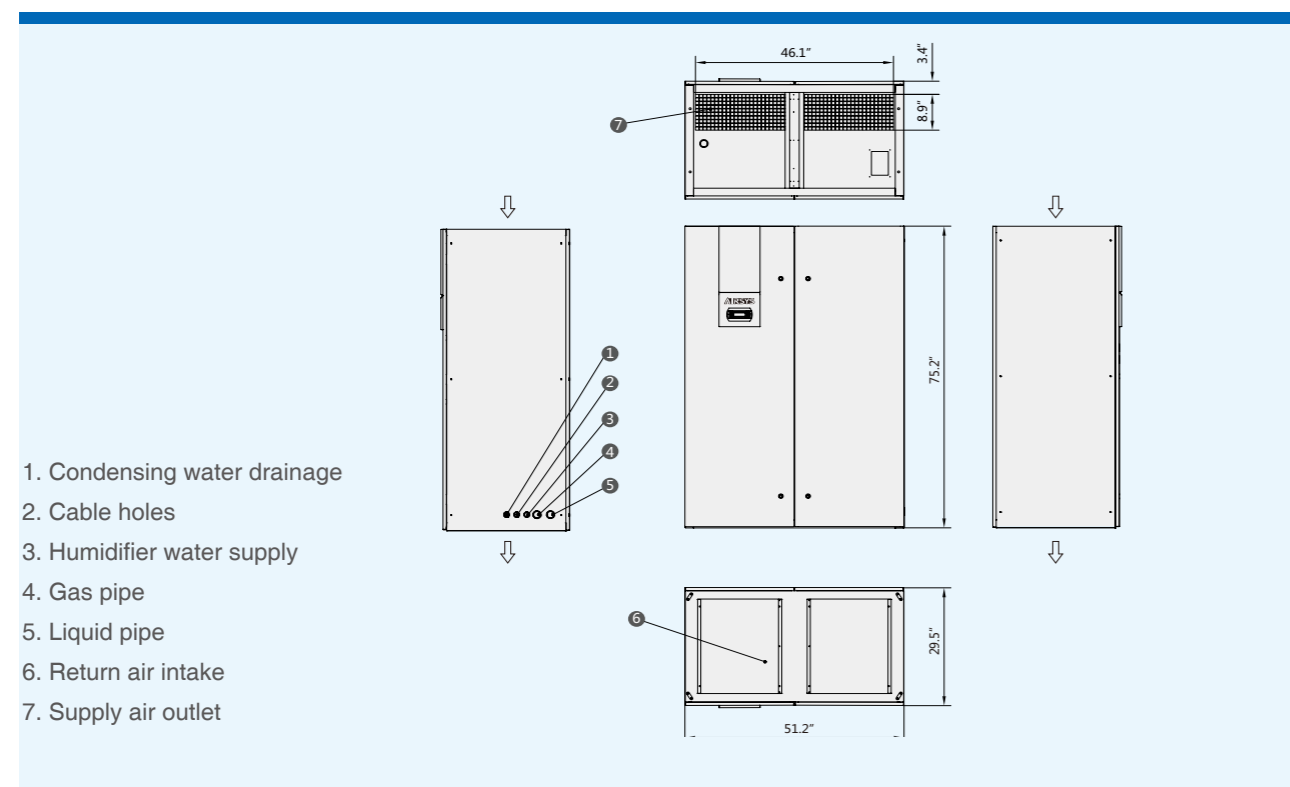
C3 Up-front throw (air) unit dimension drawing



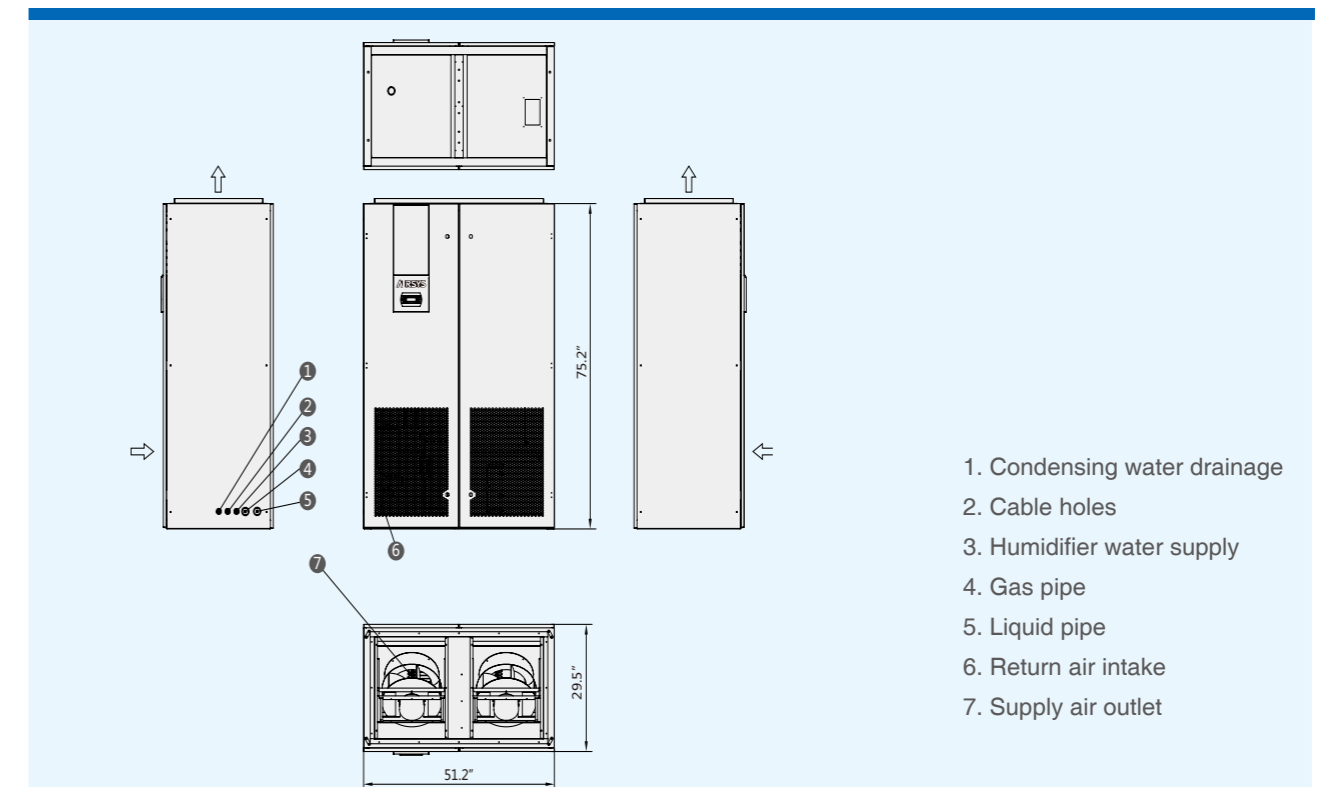
C3 Replacement (air) unit dimension drawing



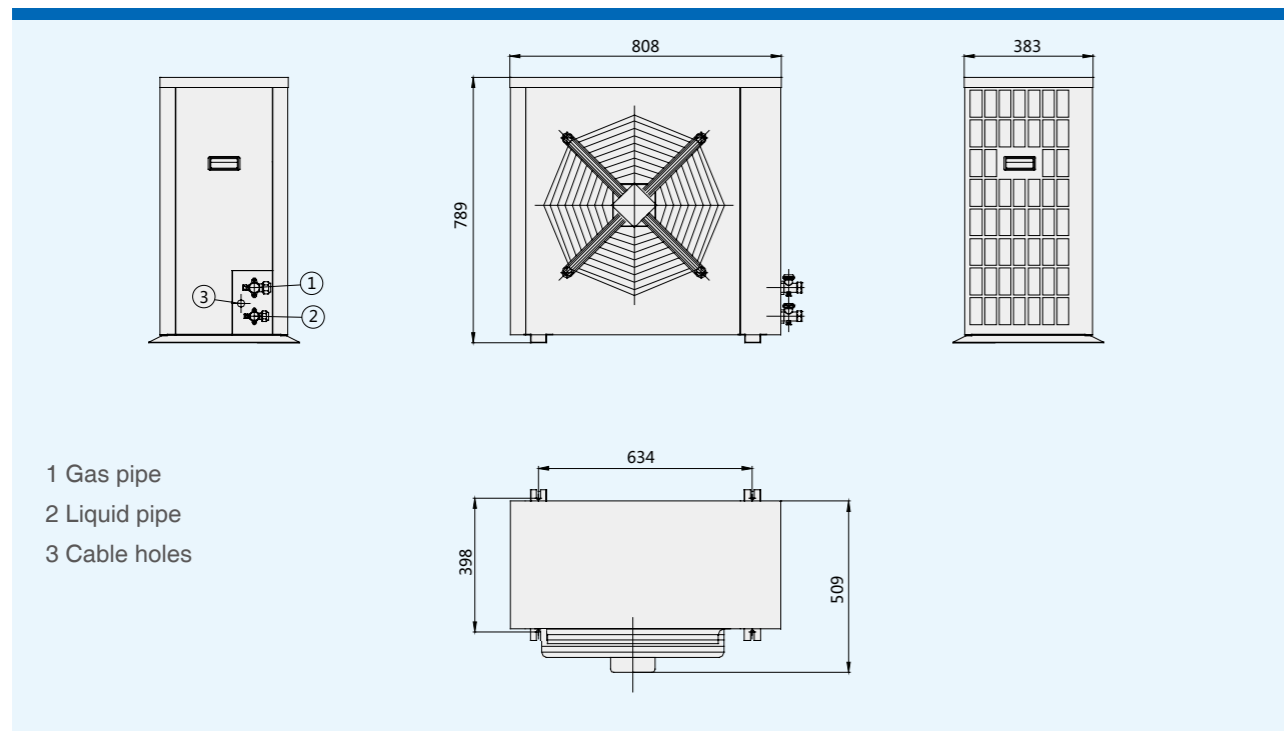
C3 Bottom throw (air) unit dimension drawing



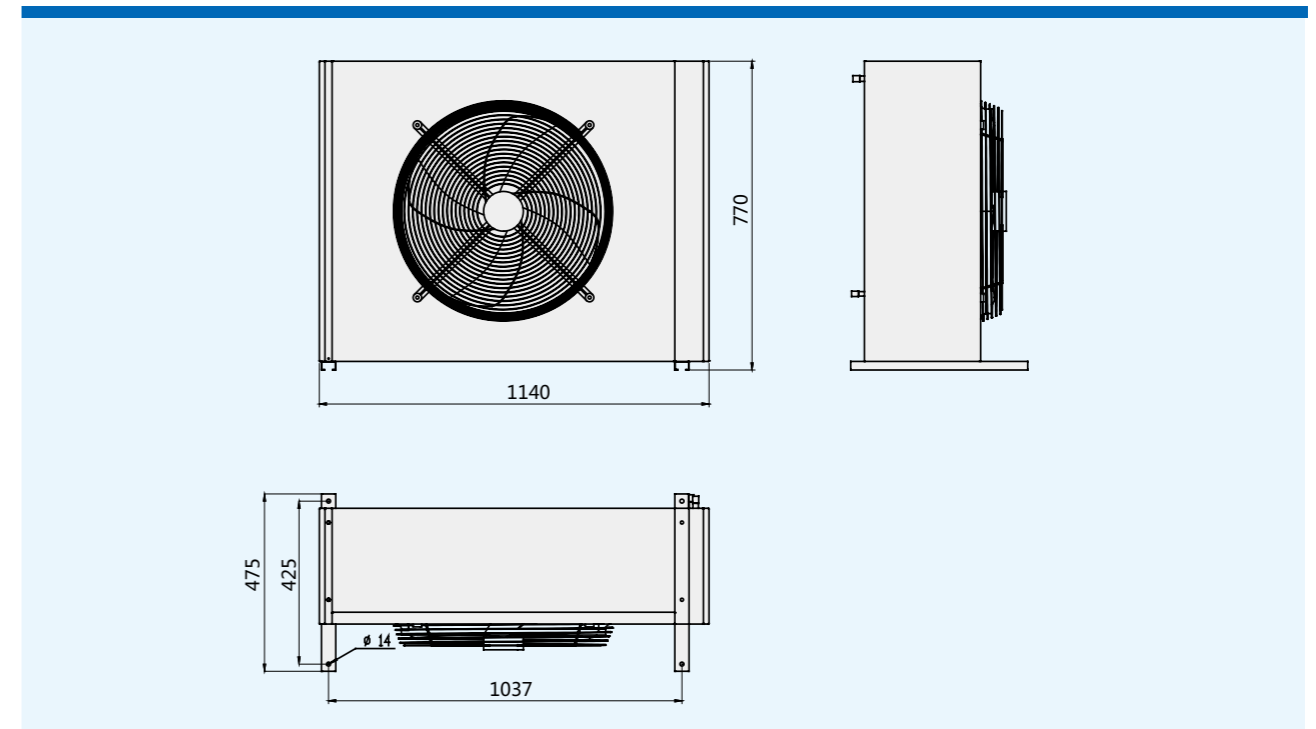
C3 Top throw (air) unit dimensions



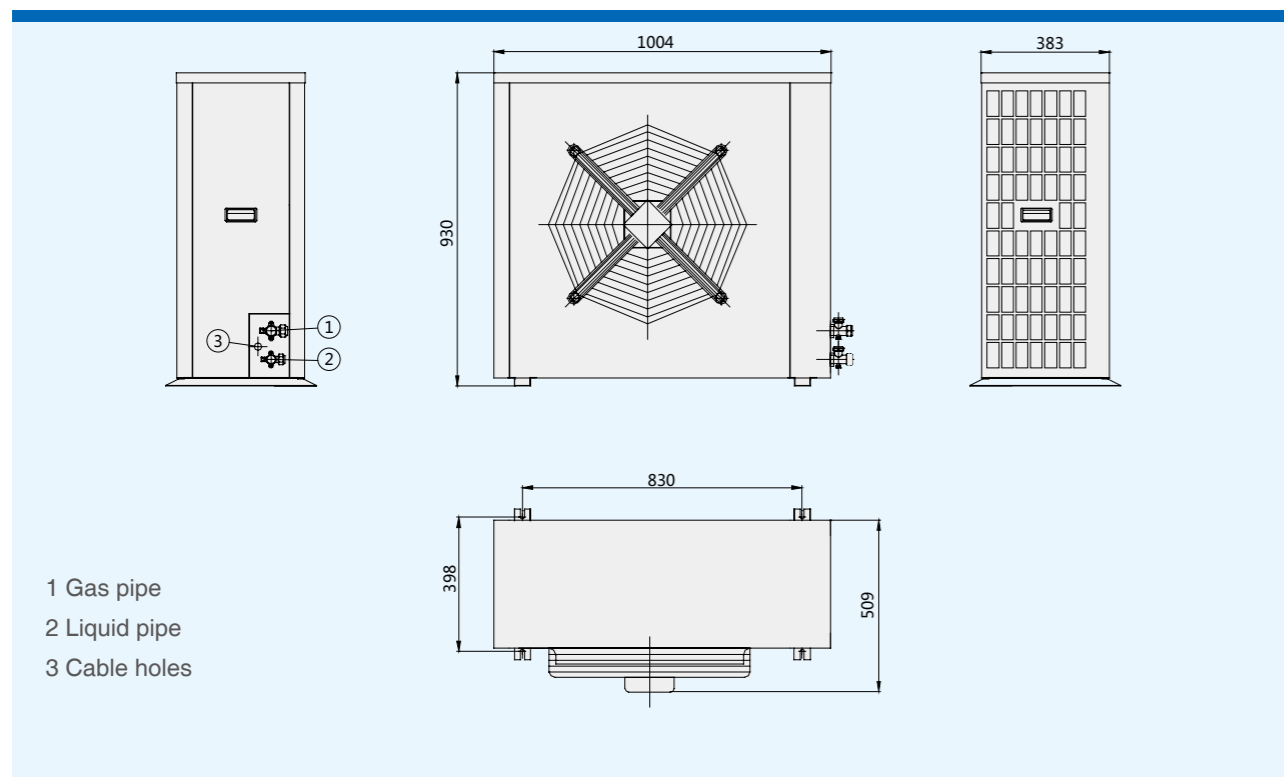
CMDG3/CMDG4 dimension drawing



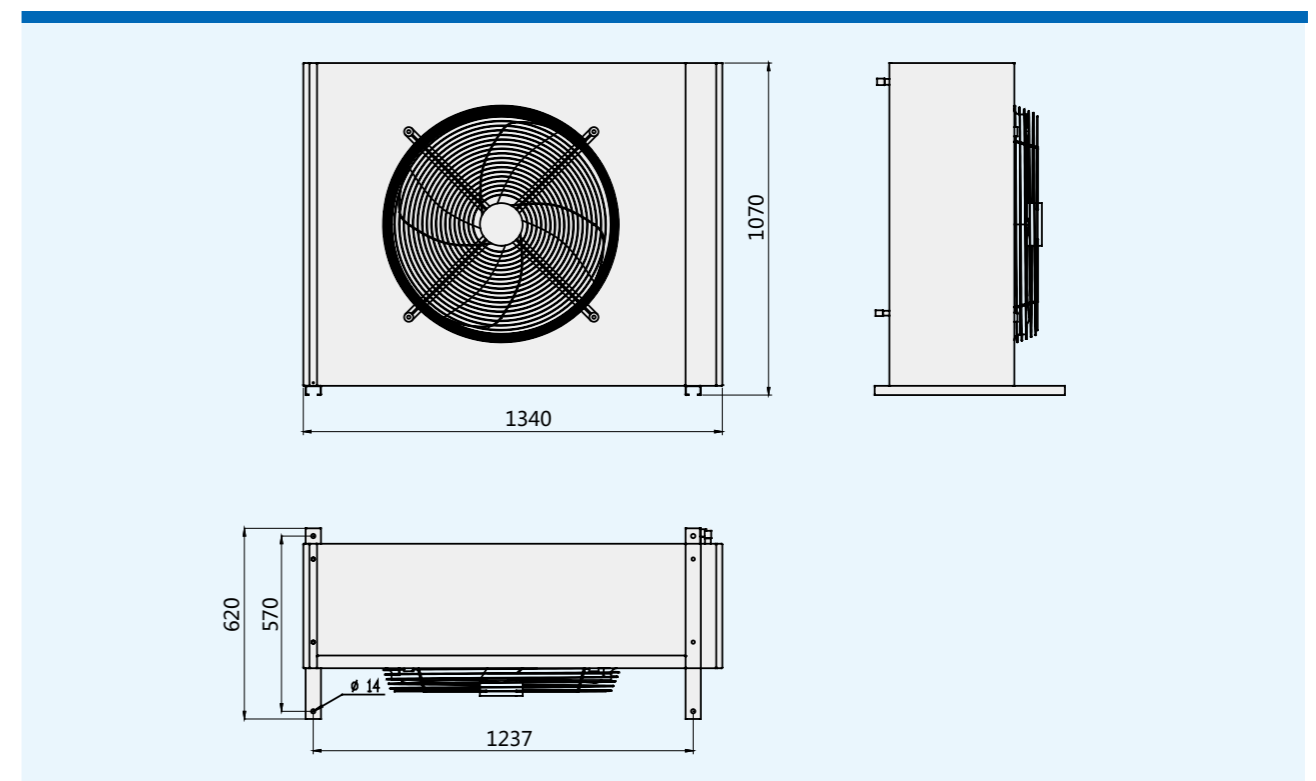
CMEG5 dimension drawing



CMDG5 dimension drawing



CMEG8/CMEG10 dimension drawing





AIRSYS

Balance the Environment

AIRSYS is a cooling product and solution provider for ICT (Information & Communication Technology) industry.

The products include:

- Air conditioner and Chiller for IT room and large data center
- Intelligent Control system (BAS) for IT room and data center
- Air conditioning equipments for telecom shelters
- Intelligent control system for shelter cooling.
- Air conditioner and heat exchanger for telecom cabinets.

The solution include:

- Cooling system design
- System integration
- Installation and Commissioning
- Operation and Maintenance

AIRSYS is also a global leader in providing cooling solution for Medical Imaging System.

Airsys Refrigeration Engineering Technology (Beijing) Co., Ltd.

Add: 10th floor, Hongkun Shengtong building, 19, Ping Guo Yuan Xi Xiao Jie, Shijingshan, Beijing, China 100043
Tel: +86(0)10 68656161

Gu'an Airsys Environment Technology Company Ltd.

Add: 25, Dongfang Street, Gu'an Industry Park, Langfang City, Hebei Province, China
Tel: +86(0)10 68656161

Shanghai Airserve HVAC System Service Co., Ltd.

Add: #7-2, No.658, Daduhe Rd., Putuo District, Shanghai, China, 200333
Tel: +86(0)21 62452626 Fax: +86 (0)21 62459622

AIRSYS Australia Sales Office

Add: PO BOX 1088, Flagstaff Hill, SA, 5159, Australia
Tel: +61 479151080

AIRSYS BRASIL LTDA.

Add: Av. Moaci, 395 Conj 35/36 04083-000 – Planalto Paulista SAO PAULO – SP
Tel: +55 (11) 25976817 / +55 (11) 21585560

AIRSYS Deutschland GmbH

Add: Dahlweg 120, D-48153 Münster Germany
Tel: +49 (0) 251-97307478
Fax: +49 (0) 251-97307479

AIRSYS Klima Sanayi ve Ticaret A.Ş.

Add: Barbaros Mah. Evren Cad. Erzurumlular Sk. No:23 Ataşehir / Istanbul Turkey
Tel: +90(216) 4706280 Fax: +90(216) 4706290

AIRSYS North America, LLC

ICT Cooling:
Add: 915 De La Vina St. Santa Barbara, CA 93101, USA
Tel: +1 (805) 312 7563 Call Centre: +1 (855) 874 5380
Medical Cooling:
Add: 3127 Independence Dr Livermore, CA 94551, USA
Tel: +1 800 7131543

AIRSYS Singapore Pte. Ltd

Add: 12 Lorong Bakar Batu #06-01 Singapore (348745)
Tel: +65 62787188 Fax: +65 68416301

AIRSYS (UK) Ltd.

Add: 245 Europa Boulevard, Warrington, UK. WA5 7TN
Tel: +44 (0) 1925 377 272 Call Centre: +44(0)8456099950

www.air-sys.com

Product design and specification subject to change without prior notice.